



## OVERVIEW

StarEFX™ panels bring a captivating starry night effect to any interior while delivering excellent acoustic performance. Designed for simple installation on either ceilings or walls, each lightweight panel is secured using six screws, providing both a visual and functional upgrade to your space.

The Matrix panel offers an enhanced visual experience, with 56 light points that are arranged randomly, providing a unique celestial ambiance to your space.

## FEATURES

1. Acoustic P.E.T. Panel made from recycled material
2. Bevelled and Straight edge panel options
3. 56 randomised star points for a natural night-sky effect
4. Classic shimmer, twinkle, and animated lighting modes
5. App control with access to 170+ dynamic animations
6. Full RGBW colour control
7. Built-in Wi-Fi connectivity
8. Compatible with leading home automation systems



### NAME:

StarEFX - Matrix

### CATEGORY:

Acoustic Lighting - Panel

### WEIGHT:

Approximately: 1.2kg - 2kg

### YEAR:

2026

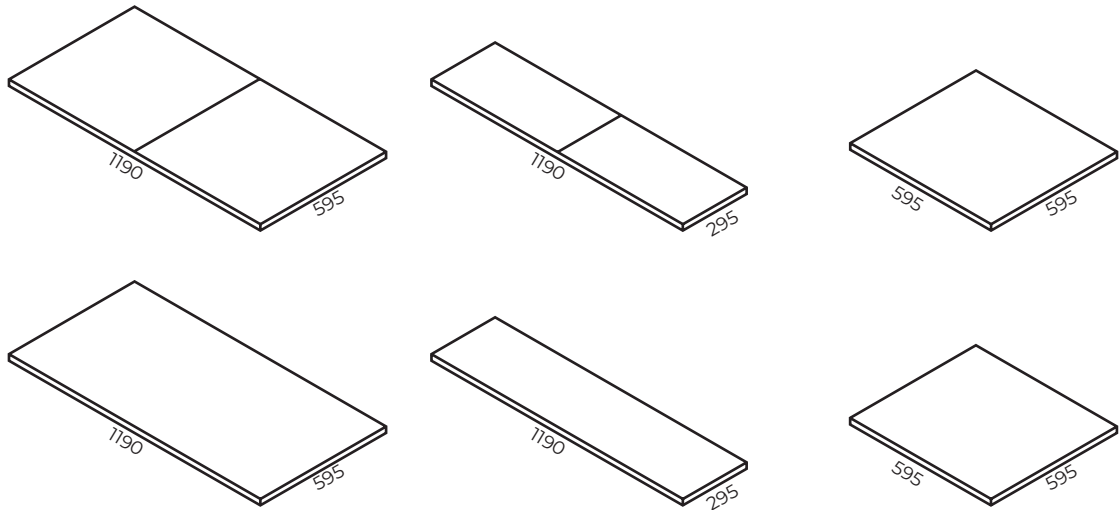
### DIMENSIONS:

1190mm x 595mm x 27mm

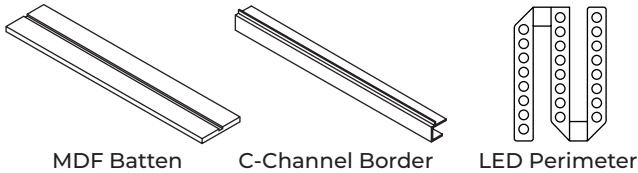
1190mm x 295mm x 27mm

595mm x 595 mm x 27mm

## DIMENSIONS



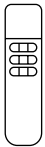
## ADDITIONAL COMPONENTS



MDF Batten

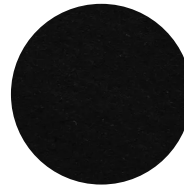
C-Channel Border

LED Perimeter



Wireless Remote

## FINISHES



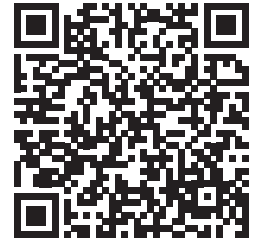
Pure Black



Silver Grey

## INSTRUCTIONS

When installing across a large ceiling area, it is essential to ensure the underlying structure is adequately supported. In some cases, particularly where the drywall may not be securely fixed to ceiling joists or furring channels, we recommend using battens to reinforce the mounting surface. This ensures a safe, stable, and long-lasting installation.



## CERTIFICATIONS



## WARRANTY



## CONTACT US!

LightEFX

35 Research Drive,  
Croydon South,  
VICTORIA, 3136

1300 762 299  
sales@lightefx.com.au  
www.lightefx.com.au

